



# m4a

OUR PRODUCTS BUILD NETWORKS

# TYPE 4a DMC LID AND FRAME

## Specification document: SANS 1882 MD DMC 4A Lid and Frame 600mm Circular Hinged Cover and Frame

### Background

The Dough moulding compound (DMC) Type 4A hold SABs certification and conforms to the SANS 1882:2003 standard. DMC formulation is a combination of resin, catalysts, fillers, pigments and UV stabilisers.

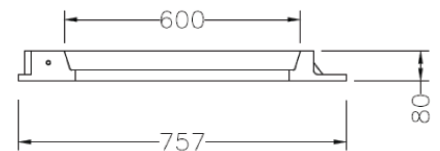
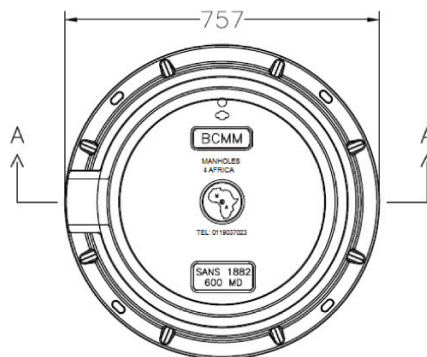
### Manufacture process

Products are Compression moulded through a process called Dough moulding, utilising highly compressive forces coupled with high heat and advanced moulding techniques.

### Benefits

- Precision moulding ensures identical product – UV stability
- High tensile, flexural and compressive strengths (specific density 2.2)
- Non corrosive/ non-combustible/non-conductive
- Zero expansion/Contraction of products

| Material      |                |
|---------------|----------------|
| Cover:        | 600mm diameter |
| Frame:        | 757mm diameter |
| Height:       | 75mm           |
| Cover weight: | 14kg           |
| Frame weight: | 13kg           |
| Duty class:   | Medium Duty    |
| Force (KN):   | 40KN           |



Rev Date: 9 March 2021



# m4a

OUR PRODUCTS BUILD NETWORKS

[www.m4a.co.za](http://www.m4a.co.za)

HEAD OFFICE • Everite Factory Premises, Heidelberg Road (R550), Klipriver, South Africa  
Tel: +27 11 903 7023 | Email: [info@m4a.co.za](mailto:info@m4a.co.za)