



## Specification document: SANS 1882 HD DMC Type 3B Lid and Frame Circular Valve Box and Cover

### Background

The Dough moulding compound (DMC) Type 3B hold SABS certification and conforms to the SANS 1882:2003 standard. DMC formulation is a combination of resin, catalysts, fillers, pigments and UV stabilisers. The Type 3B Circular Valve box and cover is for applications in irrigation, water meters and valve meters.

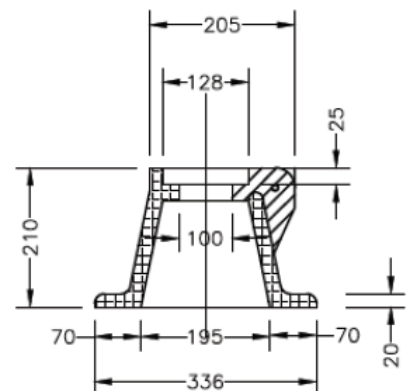
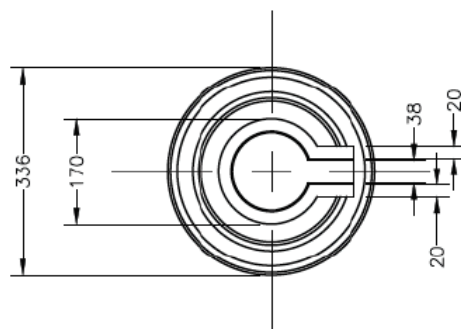
### Manufacture process

Products are Compression moulded through a process called Dough moulding, utilising highly compressive forces coupled with high heat and advanced moulding techniques.

### Benefits

- Precision moulding ensures identical product – UV stability
- High tensile, flexural and compressive strengths (specific density 2.2)
- Non corrosive/ non-combustible/non-conductive
- Zero expansion/Contraction of products

Material	
Cover and frame:	8,2kg
Height:	210mm
Cover weight:	0,7kg
Frame weight:	7,5kg
Duty class:	Heavy Duty
Force (KN):	135KN



Rev Date: 9 March 2021

